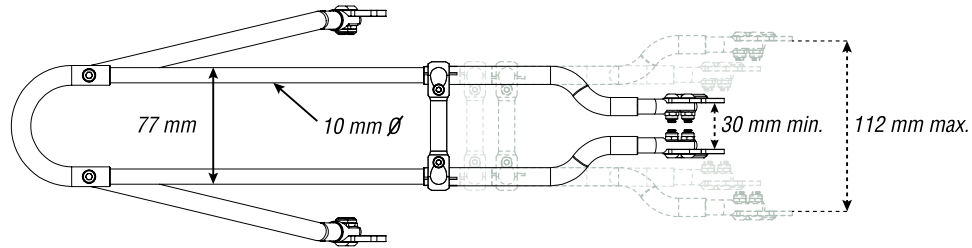
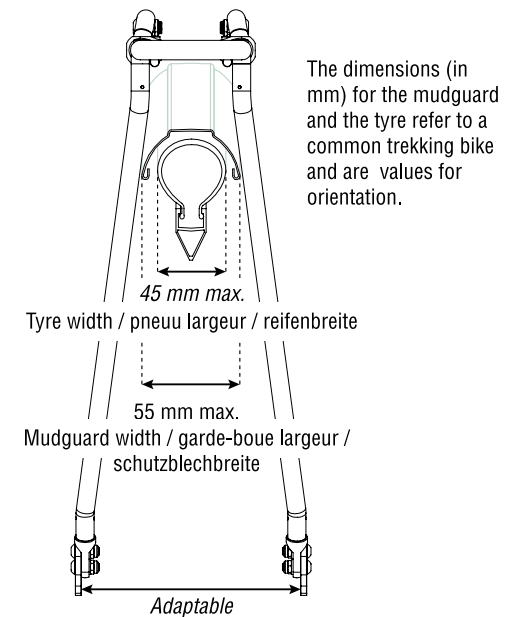
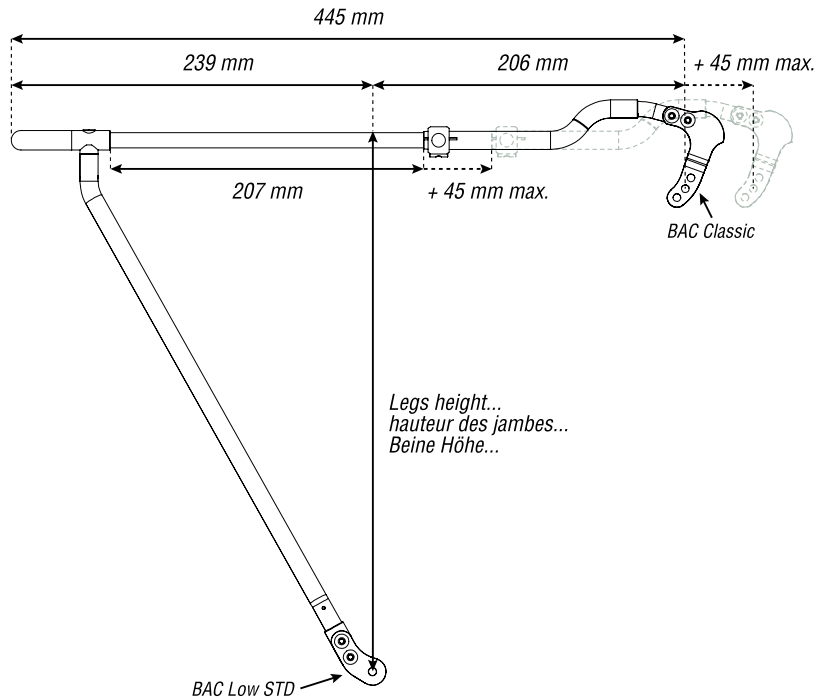


Rack-RH + Classic kit

Rear luggage carrier dimensions / dimensions du porte-bagages (roue arrière) / Abmessungen des Hinterradtrager

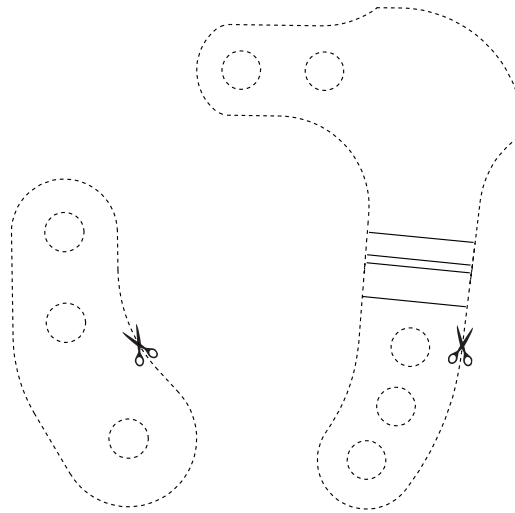


Stainless steel and aluminium
Wheel 26" - 28"
Load 18 kg / 39 lbs
Weight 538 g



Classic kit

Brackets dimensions / dimensions des supports / Abmessungen der Befestigungsschellen

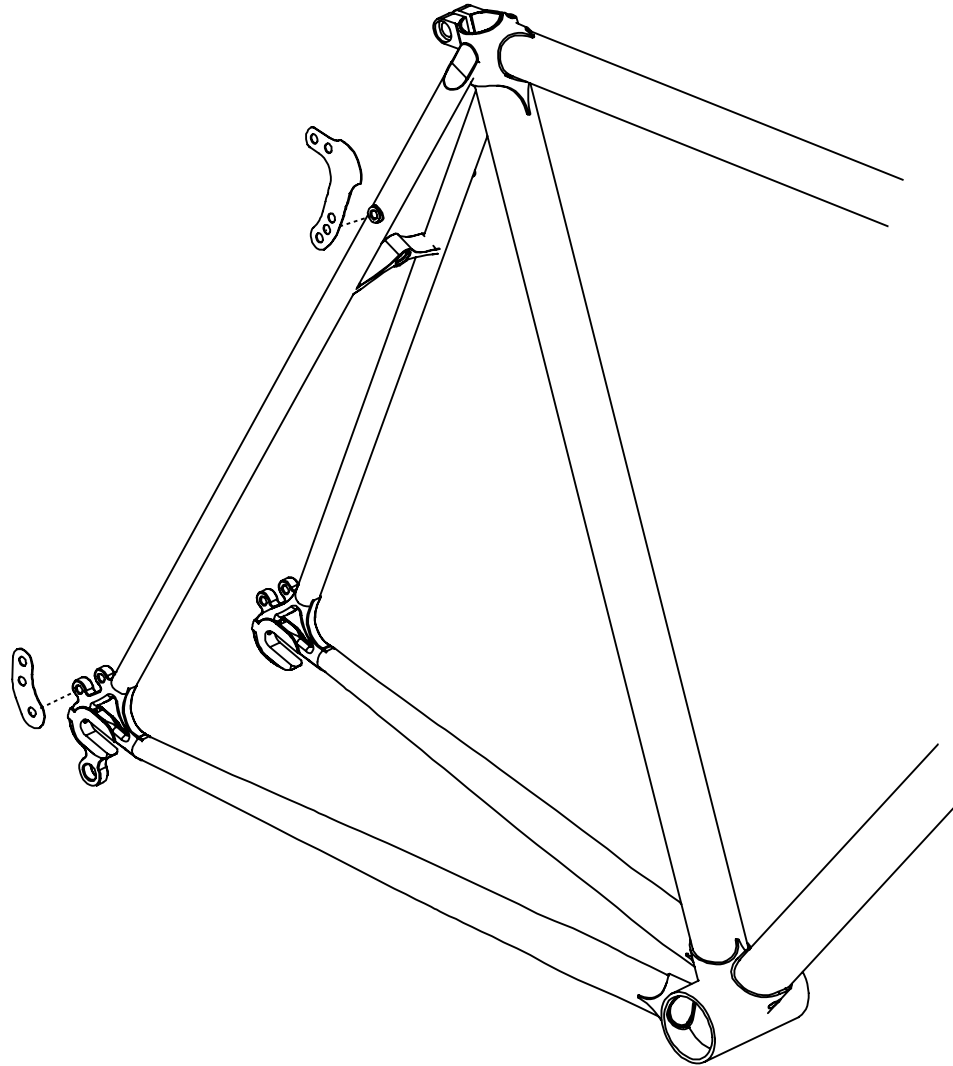


BAC Low STD

BAC Classic

Rack-RH + Classic kit

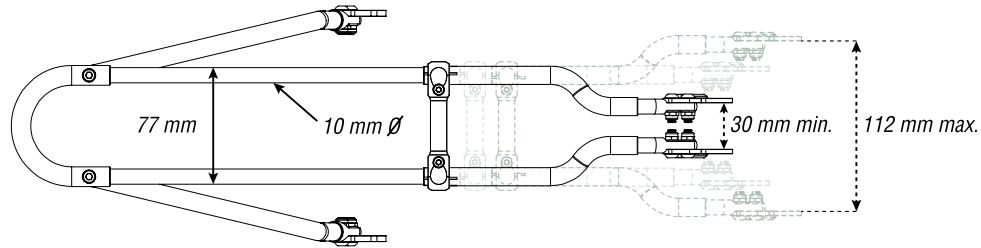
Brackets dimensions / dimensions des supports / Abmessungen der Befestigungsschellen



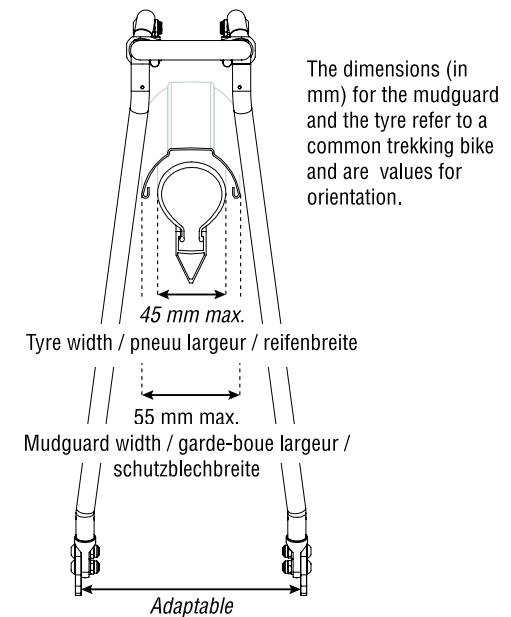
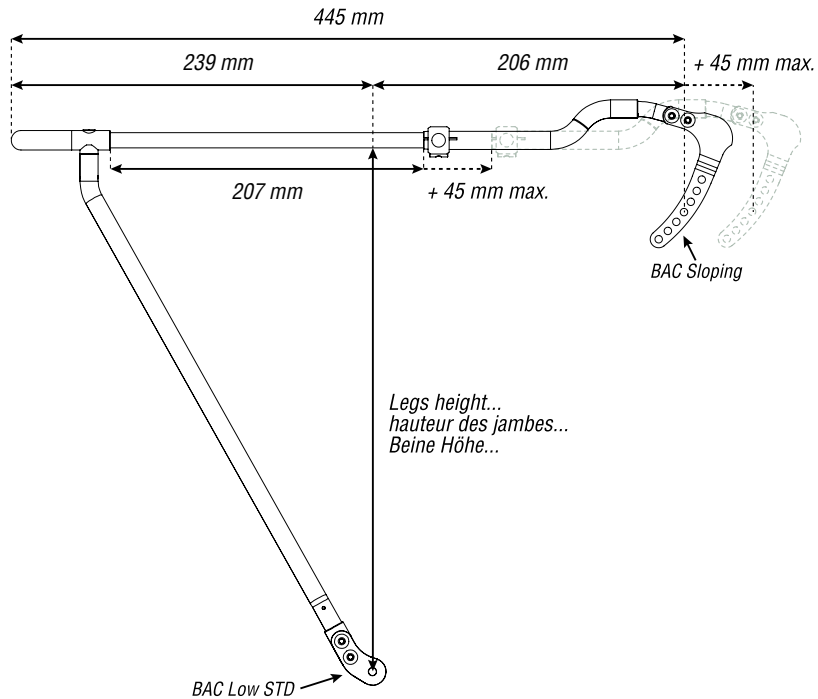
Check, by the silhouettes in paper, the compatibility between your frame and the specific BAC clamps.

Rack-RH + Sloping kit

Rear luggage carrier dimensions / dimensions du porte-bagages (roue arrière) / Abmessungen des Hinterradtrager

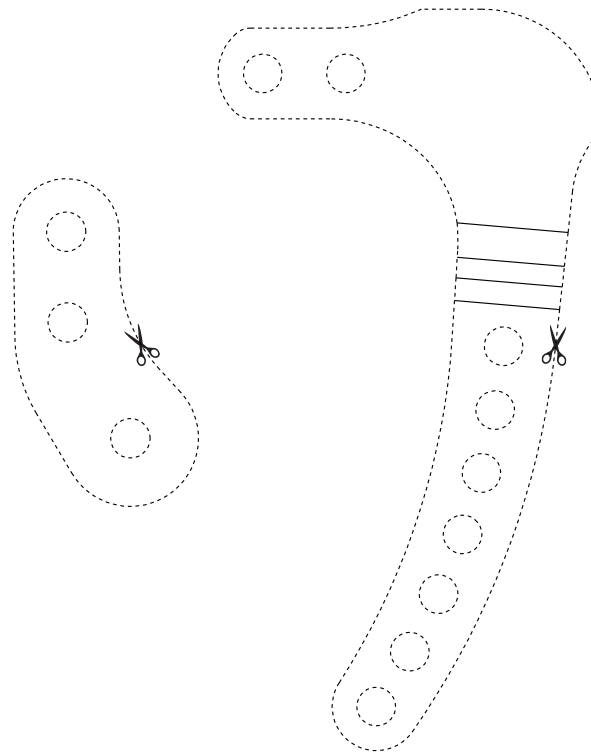


Stainless steel and aluminium
Wheel 26" - 28"
Load 18 kg / 39 lbs
Weight 538 g



Sloping kit

Brackets dimensions / dimensions des supports / Abmessungen der Befestigungsschellen

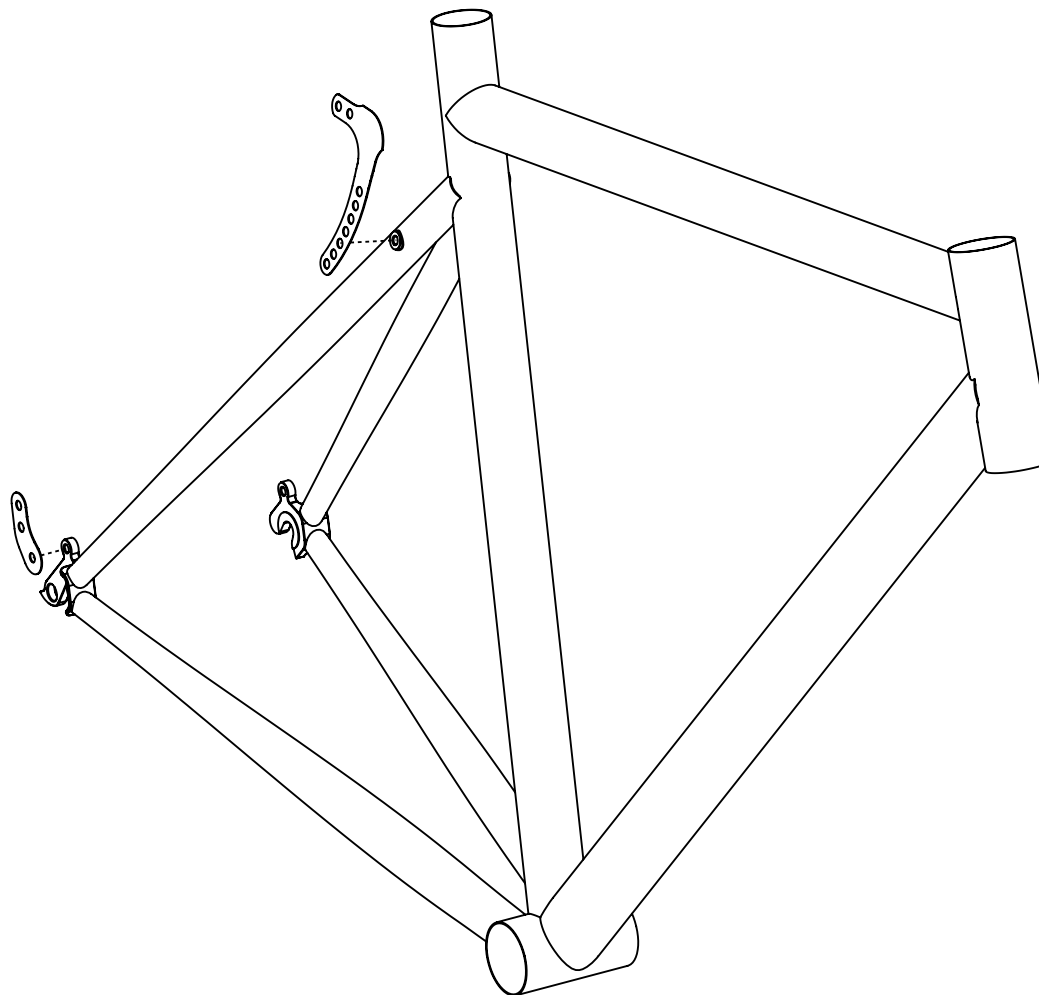


BAC Low STD

BAC Sloping

Rack-RH + Sloping kit

Brackets dimensions / dimensions des supports / Abmessungen der Befestigungsschellen



Check, by the silhouettes in paper, the compatibility between your frame and the specific BAC clamps.